

## A1 Inclined-vertical Tube Manometer

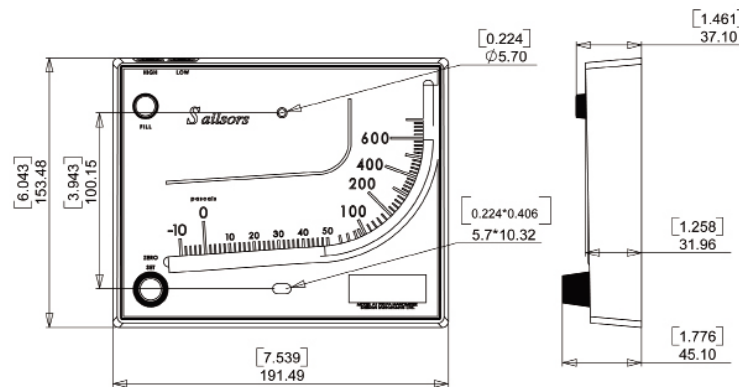
Range: 0-700 Pa Accuracy:  $\pm 3\%$  FS

### Features

- Inclined-vertical shaped tube with low-volatile indicating red fluid.
- Capable of measuring higher ranges with fine details at lower ranges.
- Capable of measuring positive, negative, and differential pressure of air or gas.
- Comes with 2 mounting screws, 2 tubing connectors, 8-foot-long flexible plastic tubing, and a bottle of red fluid.
- Inexpensive and common in conventional applications.



### Dimensional Drawing (inch/mm)



### Specifications

Accuracy:  $\pm 3\%$ FS

Maximum Working Temperature: 130°F (54°C)

Maximum Working Pressure: 15psi (150 KPa)

### Installation

1. Install the A1 manometer on a vertical surface with the two mounting screws supplied. Use the integrated spirit level to adjust the level, and then secure it in place.
2. Unscrew the cap (left-top) in the front, slowly pour the red fluid, and adjust the lower cap to zero.
3. Connect the measured pressure tubing to the manometer.
  - Positive pressure measurement: Connect the measured pressure tubing to the port/tap marked "High".
  - Negative pressure measurement: Connect the measured pressure tubing to the port marked "low".
  - Differential pressure measurement: Connect the higher pressure tubing to the port marked "High" and the lower pressure tubing to the port marked "low".

### Order Information

Model	Range	Fluid Used
A1-3 in w.c	0-3 in w.c	Red oil,.826 s.g.
A1-80 mm w.c	0-80 mm w.c	Red oil,.826 s.g.
A1-700 Pa	0-700 Pa	Red oil,.826 s.g.