

Features

- ◆ Magnet-helix indicating mechanism ideal for low DP measurement
- ◆ surface mounting with 2-5/8"hole
- ◆ Accuracy 5% of FS
- ◆ Easy to read through lucid lens
- ◆ High static pressure to 30 PSI
- ◆ Good quality and low cost

Specifications

Service: Air and compatible gases
Ranges: See Range Selection Chart
Accuracy: ±5% of full span at 20°C±5°C
Ambient Temperature: -6.67 ~ 48.9°C
Pressure Limit: 30Psi (2.06Bar)
Process Connections: high and low pressure



taps – on the top.

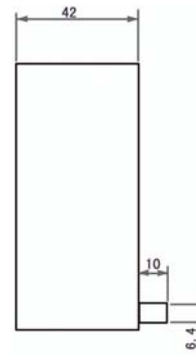
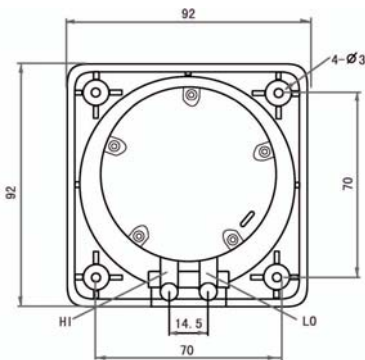
Housing Material: nylon glass, polycarbonate lens

Weight: 220g

Dial Size: 52.39mm Diameter (2-1/16")

Mounting Position: Vertical

Dimensional Outline Drawings



Model chart

Models	Range Inch of w.c.	Models	Range Inch of w.c.	Models	Range mm of w.c.
A9000-0	0-0.5	A9205	0-5	A9000-12MM	0-12
A9001	0-1.0	A9210	0-10	A9000-25MM	0-25
A9002	0-2.0	A9215	0-15	A9000-50MM	0-50
A9003	0-3.0	A9230	0-30	A9000-100MM	0-100
A9005	0-5.0			Models	Range Pa
A9010	0-10			A9000-125Pa	0-125
A9020	0-20			A9000-250Pa	0-250
A9040	0-40			A9000-500Pa	0-500
A9060	0-60			Models	Range KPa
A9100	0-100			A9000-1KPa	0-1
				A9000-3KPa	0-3